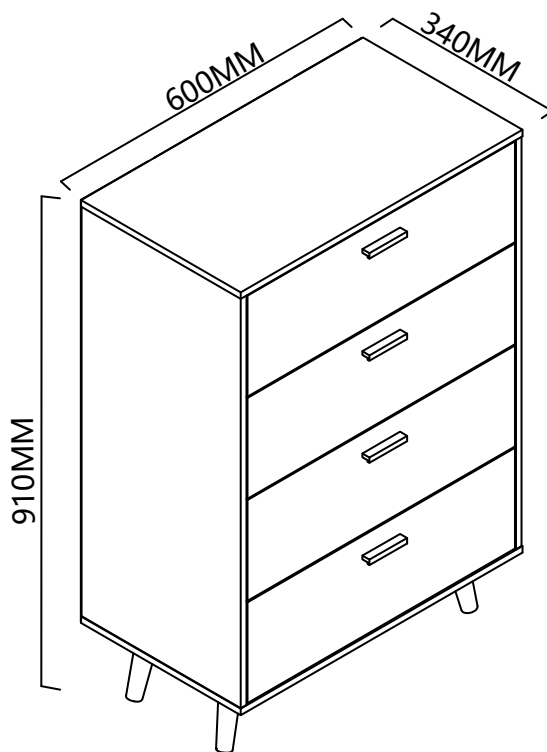


ASSEMBLY INSTRUCTION

DUNLAP

4 DRAWER TALL CHEST

ITEM CODE 73023

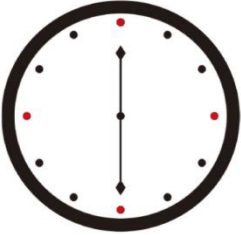

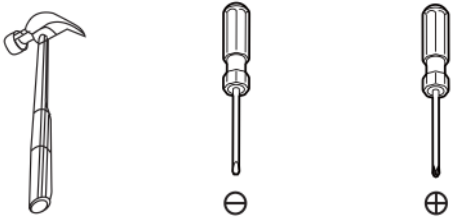


Imported by JWA Furniture Pty Ltd, Qld, Brisbane Australia.
For any assistance with assembly or for missing parts please refer to your receipt

PRE-ASSEMBLY PREPARATION

Before you start:

1. Choose a clean, level, spacious assembly area. Avoid hard surfaces that may damage the product
2. Take care when lifting. Product should be assembled as near as possible to the point of use
3. Ensure that you have all required contents for complete assembly
4. Always read the assembly instructions carefully before beginning assembly.
5. Keep all hardware parts and packaging out of reach of small children.
6. Do not over tighten the screws and bolts as this may damage the threads

		
Allow 30 min	For 1 person	Additional tools required



TIPPING WARNING





Serious or fatal injuries may occur from furniture toppling over. To help avoid this please follow the below recommendations:

- Install the provided "Tipping Kit" as per the instructions
- Never allow children to climb on or hang off of any part of this product
- Unless specifically designed to accommodate, do not set TVs or other heavy objects on top of this product








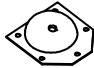

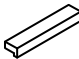






If this product has drawers:

- Place the heaviest items in lowest drawers
- Do not open more than 1 drawer at a time as this may cause the product to become unbalanced
- Do not tamper with or remove any drawer interlocking/running system

Note: The use of the provided "Tipping Kit" may reduce but not necessarily eliminate the risk of furniture toppling over. Please use this product with caution.

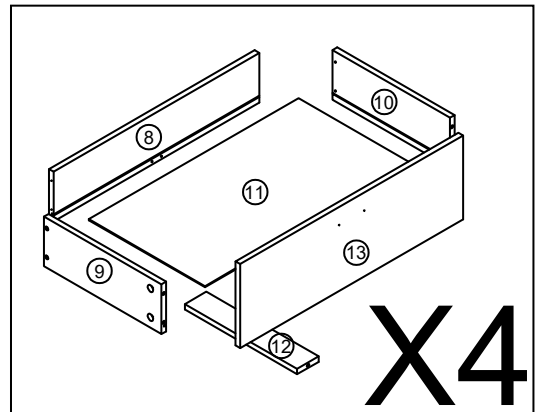
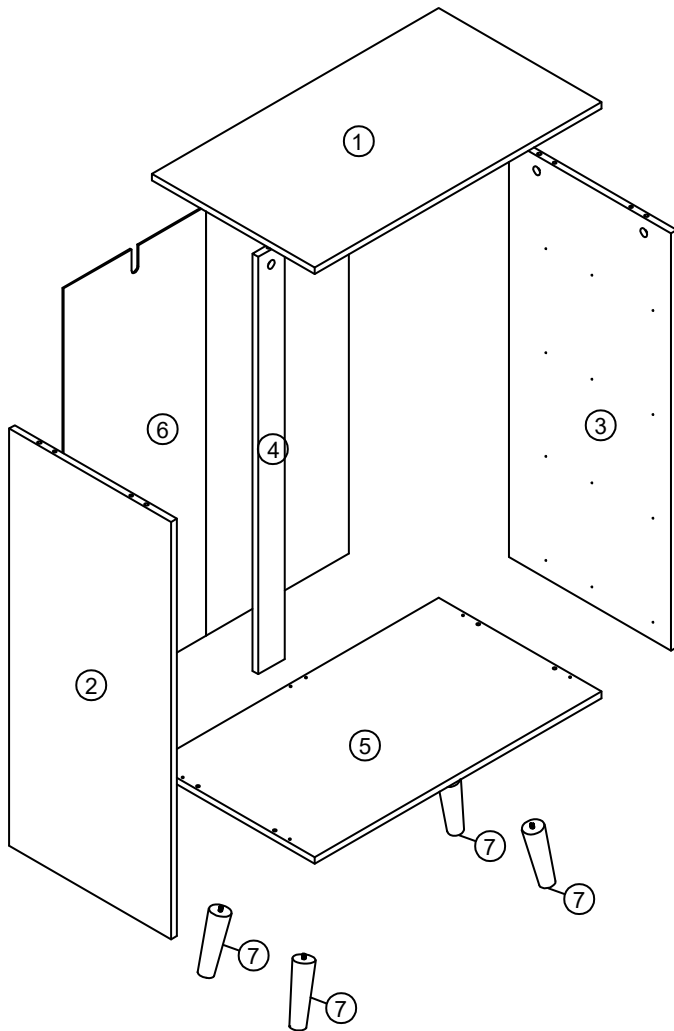
This is a permanent label. Do not attempt to remove!

PARTS LIST

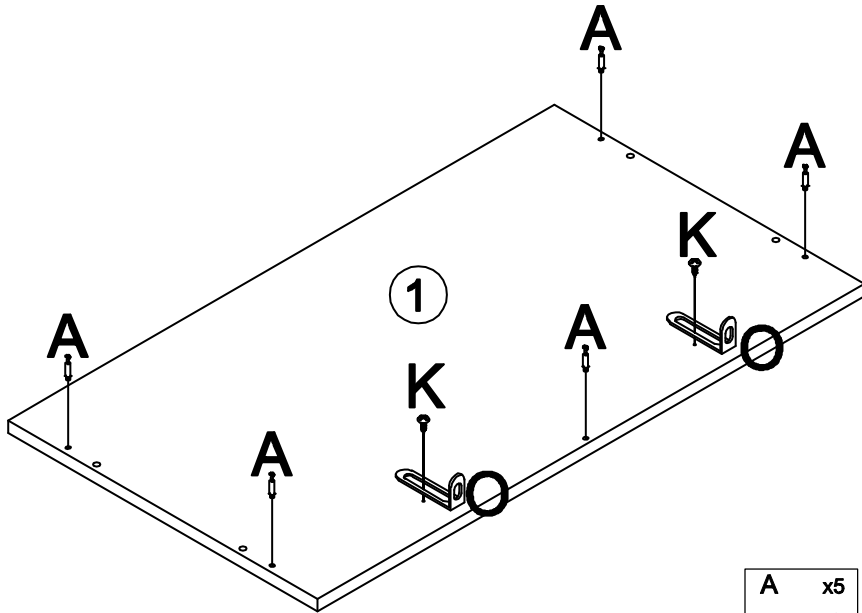
NO.	ITEM	QTY	NO.	ITEM	QTY
A	 $\Phi 6*35$	25PCS	DR	 30CM	4PCS
B	 $\Phi 15*10$	25PCS	J	 $\Phi 1.5*20$	20PCS
C	 $\Phi 6*30$	8PCS	K	 $\Phi 4*10$	22PCS
D	 $\Phi 4*35$	32PCS	L	 4PCS	4PCS
E	 $\Phi 3*10$	48PCS	M	 4PCS	4PCS
CL	 30CM	4PCS	N	 $\Phi 4*16$	8PCS
CR	 30CM	4PCS	O	 2PCS	2PCS
DL	 30CM	4PCS	P	 $\Phi 6*30$	2PCS

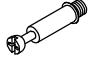


NO.	ITEM	QTY	NO.	ITEM	QTY
①	TOP PANEL	1 PCE	⑧	DRAWER BACK PANEL	4 PCE
②	LEFT SIDE PANEL	1 PCE	⑨	DRAWER LEFT SIDE PANEL	4 PCE
③	RIGHT SIDE PANEL	1 PCE	⑩	DRAWER RIGHT SIDE PANEL	4 PCE
④	SUPPORT PANEL	1 PCE	⑪	DRAWER BOTTOM PANEL	4 PCE
⑤	BOTTOM PANEL	1 PCE	⑫	DRAWER SUPPORT PANEL	4 PCE
⑥	BACK PANEL	1 PCE	⑬	DRAWER FRONT PANEL	4 PCE
⑦	LEG	4 PCE			

PARTS LIST

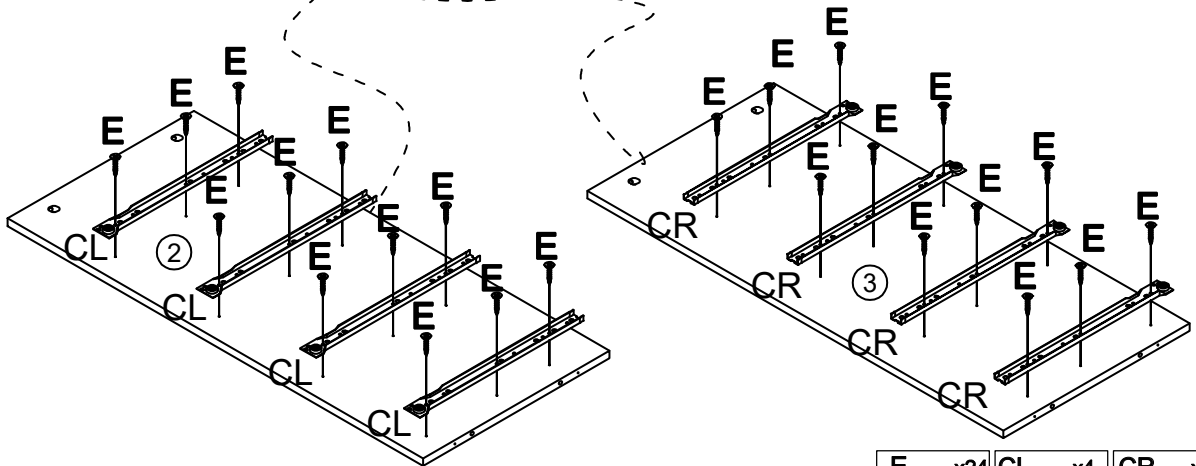
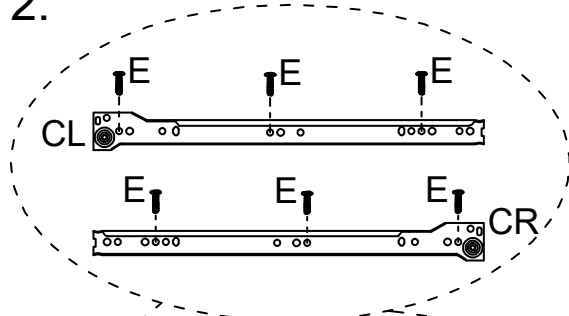





STEP 1:



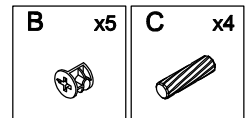
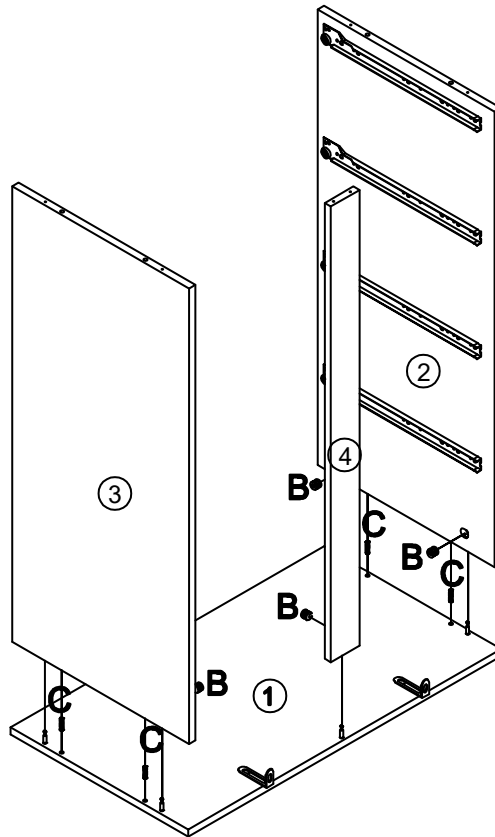
A	x5	K	x2	O	x2
					

STEP 2:

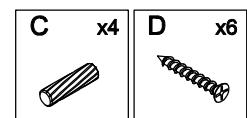
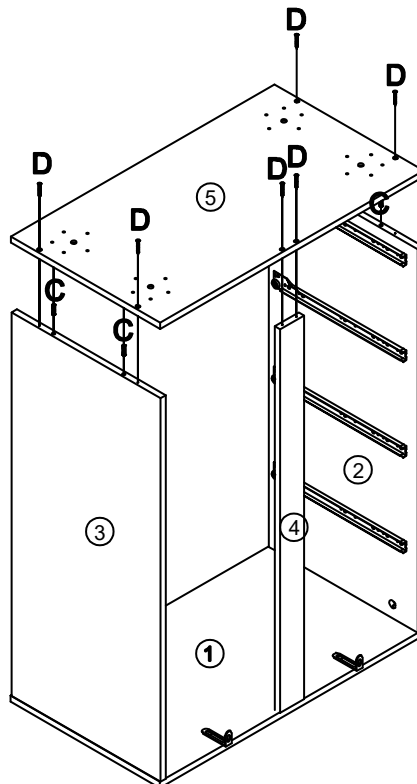


E	x24	CL	x4	CR	x4
					

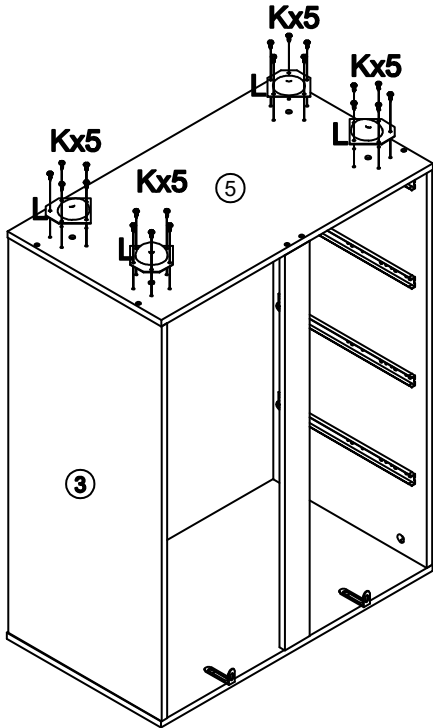
STEP 3:





STEP 4:

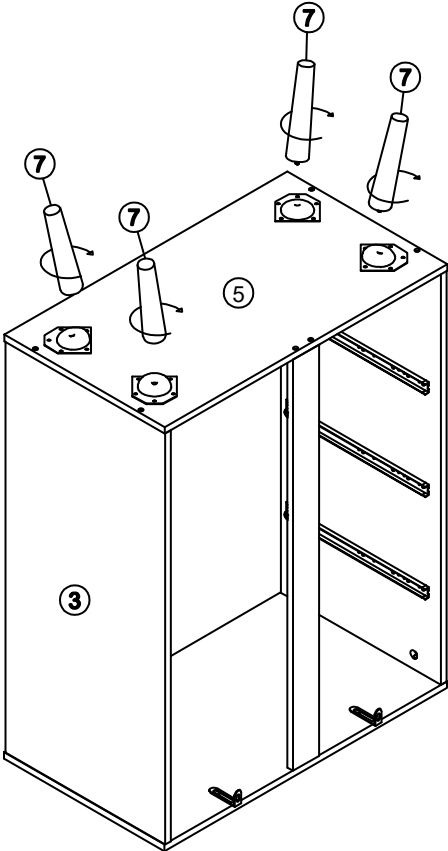


STEP 5:

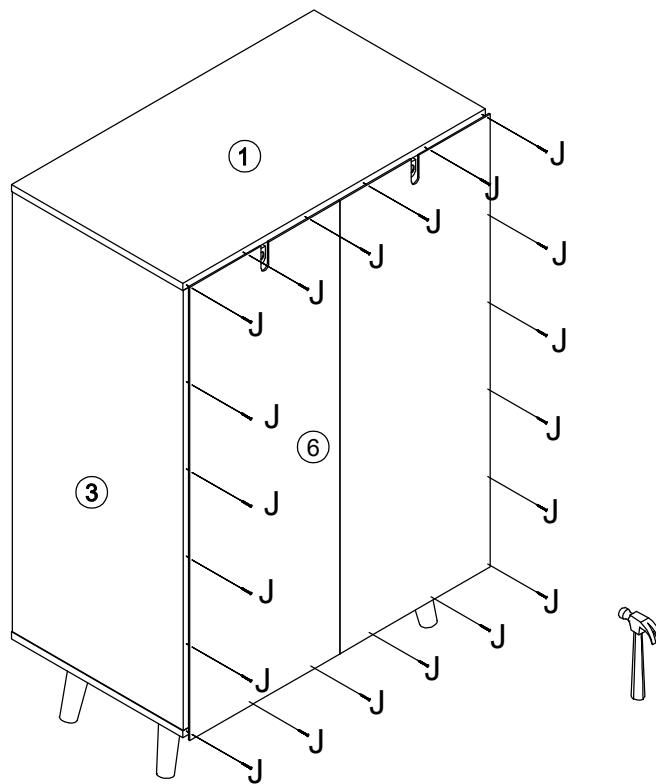


K	x20	L	x4
			

STEP 6:

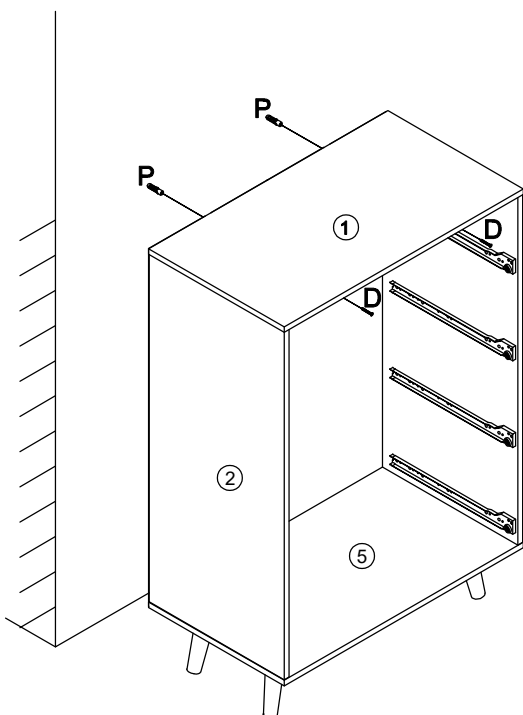


STEP 7:



STEP 8:

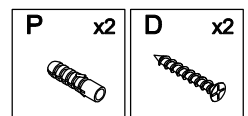
WALL



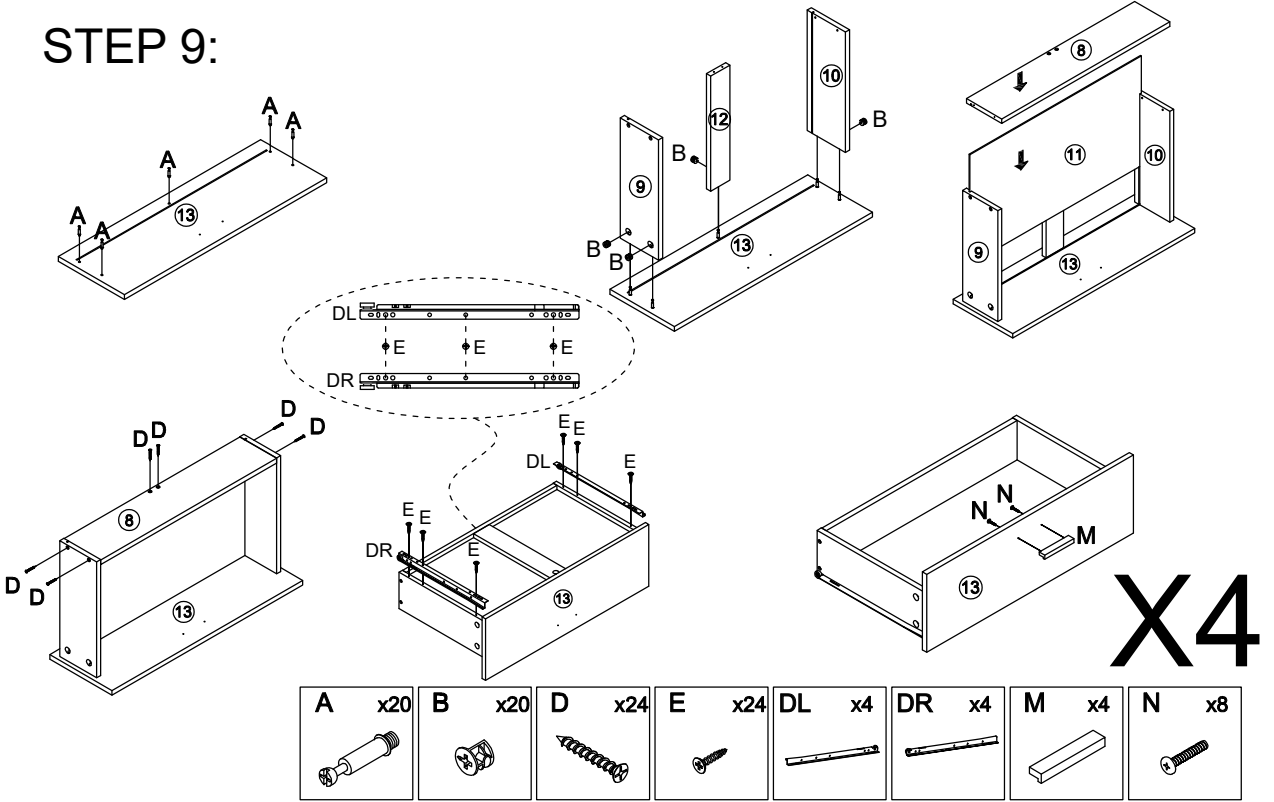
WARNING: Anti-tipping hardware is only a deterrent. It is not a substitute for proper adult supervision.

Young children may be injured by tipping furniture and the use of a tipping restraint is highly recommended. This hardware, when properly installed, could provide protection against the unexpected tipping of furniture due to improper use.

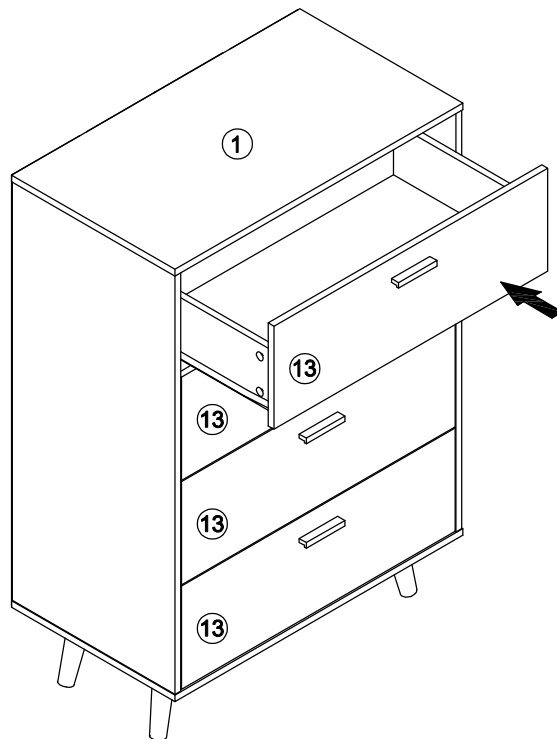
Please ensure the anti-tipping hardware provided is suitable for your wall or else it might damage your wall during installation.



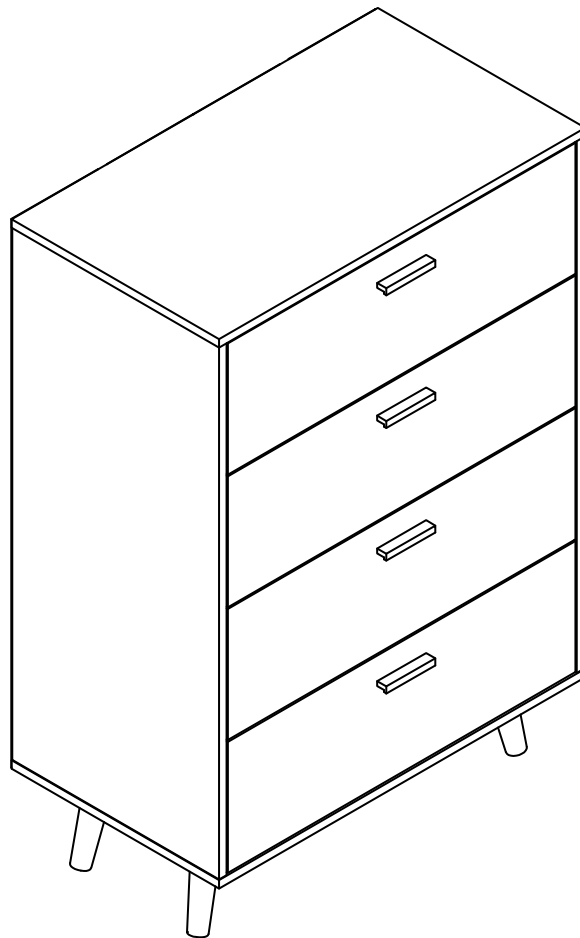
STEP 9:



STEP 10:



ASSEMBLY IS COMPLETE



To protect your furniture, we suggest the following:

- Avoid placing your furniture in direct sunlight.
- Do not place furniture directly under windows.
- Do not place sharp materials (knife, fork, etc.) directly onto your furniture as sharp material may scrape and damage the finish.
- Do not place material with high temperature directly onto the surface of your furniture.
- Clean up spills quickly. Water left over a prolonged period of time may cause damage. Alcohol, perfume, nail polishes, aftershave and some medication may cause severe finish damage if not cleaned immediately.
- Use a clean, soft, dry, lint free absorbent cloth to clean your furniture. Do not use any detergent as they may contain ingredients that may react and damage the finish.

NOTE: If the above care advise is not adhered to your product warranty may become void